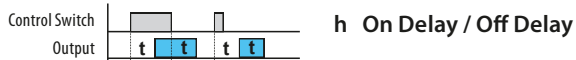
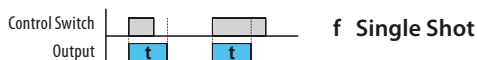
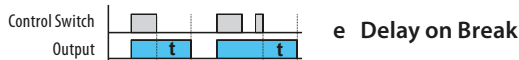


### FEATURES

- Multifunction timer
- Input voltage 12-240 VAC / VDC
- Relay output form: 3PDT – 8 Amps
- Ten selectable timing modes:
  - 4 controlled via input voltage
  - 5 controlled via control switch
  - 1 with memory alternator
- Time range setting from 0.1 second to 10 days
- Output indicator: Multifunction red LED, flashing at various rates
- DIN rail mounting
- UL and CE approvals, RoHS compliant

### TIMING MODES



# 193

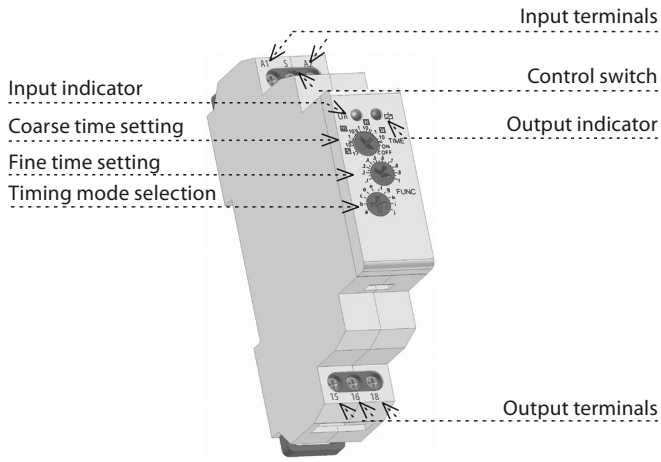
**MULTIFUNCTION  
TIMER with  
TEN SELECTABLE  
TIMING MODES**

10/15/08

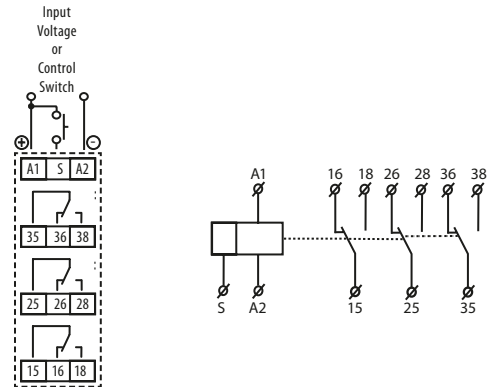
### SPECIFICATIONS

<b>Number of timing modes</b>	10
<b>Input terminals</b>	A1-A2
<b>Input voltage</b>	AC/DC 12-240V (AC 50/60Hz)
<b>Power consumption</b>	AC 0.7 to 3VA DC 0.5 to 1.7W
<b>Input voltage tolerance</b>	-15% to +10%
<b>Input indicator</b>	Green LED
<b>Time ranges</b>	0.1 second-10 days
<b>Time settings by</b>	Potentiometer
<b>Setting accuracy</b>	5%
<b>Repeatability</b>	0.2%
<b>Relay output form</b>	3PDT
<b>Rated current</b>	8Amps
<b>Switching capacity</b>	2000 VA/ AC, 192 W/ DC
<b>Inrush current</b>	10A / < 3s
<b>Switching voltage (max)</b>	250VAC / 24VDC
<b>Switching capacity DC (min)</b>	500mW
<b>Output indicator</b>	Multifunction red LED
<b>Mechanical life</b>	30 million operations
<b>Electrical life (resistive)</b>	70,000 operations
<b>Control switch</b>	A1-S
<b>Reset time (max)</b>	150ms
<b>Operating temperature</b>	-20°C to +55°C
<b>Storage temperature</b>	-30°C to +70°C
<b>Impulse length</b>	25ms (min) / (max) unlimited
<b>Dielectric strength</b>	4 kV
<b>Operating position</b>	any
<b>Mounting</b>	DIN rail EN 60715
<b>Protection degree</b>	IP 40 from front panel
<b>Wire size (max)</b>	14AWG
<b>Standards</b>	EN 61812-1, EN 61010-1, UL, CE, RoHS

**FEATURES**



**WIRING DIAGRAM**



A control switch can also turn a second parallel load on and off while connected to the S terminal and A2. S = control switch terminal.

Not intended for 3-phase operations.