

**CUBE RELAY, MULTIFUNCTION**



**MC360 Timers**

Created for OEMs and designers seeking significant flexibility at the prototype stage, MC360 series are multifunction timers with dipswitch settings, adjustable potentiometers, relay output and LED indicator.

Extremely versatile, the MC360 offers extensive options for products or systems under development, as well as one-of-a-kind solutions.

With nine single-setting timing modes and two dual-setting timing modes available in a single unit, and time delays from 1 to 100 seconds or 1 to 100 minutes, the MC360 series is a cost-effective solution for fine-tuning timing functions in myriad applications.

Easy to order, easy to use.

**FEATURES**

- Multifunction, accurate timing
- Binary dipswitch settings, 11 timing modes
- Wide range of timing delay settings
- Wide selection of AC and DC input voltages
- Totally encapsulated for protection from harsh environments

- 100% operational testing



- RoHS compliant

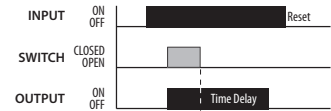
**Multiple Timing Modes in One Timer**

**SINGLE-SETTING TIMING MODES**

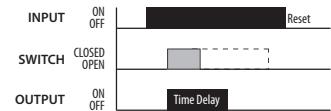
**1 Delay on Make**  
 see TGC, catalog pg 16



**2 Delay on Break**  
 see TGM, pg 46



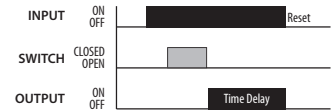
**3a Single Shot on Make**  
 see TGP, pg 112  
 with switch between T1 and T2, delay starts when switch closes



**3b Interval On**  
 see TGL, pg 138  
 with wired connection between T1 and T2, delay starts with Power On and de-energizes at end of time delay. Resets with Power Off.



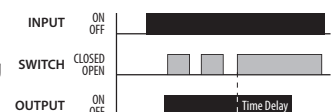
**4 Single Shot on Break**  
 see TGPS, pg 120



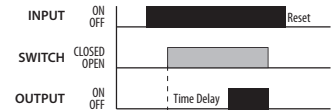
**5 Retriggerable Interval**  
 Missing Pulse Detector/Watchdog  
 see TGLR, pg 168  
 Power On transfers relay



**6 Retriggerable Single Shot**  
 Missing Pulse Detector/Watchdog  
 see TGMPL, pg 170  
 with continuous power, closing Control Switch transfers relay



**7 Delay on Make with Initiate**



**8 Repeat Cycle On/Off Delay**  
 see TGKA, pg 84



**DUAL-SETTING TIMING MODES**

**9 Repeat Cycle On/Off Delay**  
 see TGKAD, pg 92



**10 Repeat Cycle Off/On Delay**  
 see TGKD, pg 88



## BASIC WIRING AND DIMENSIONS

### Single Time Settings

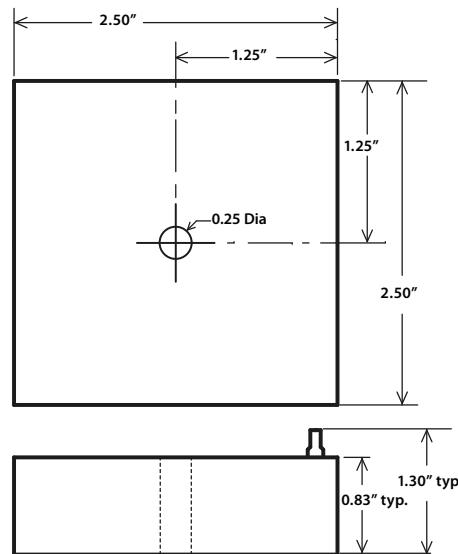
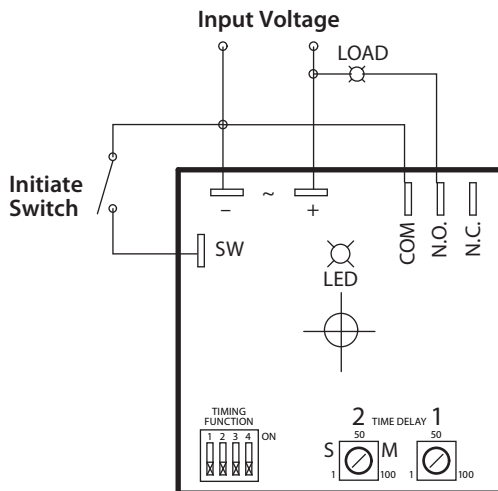
Dipswitch Settings				Timing Mode	Reference
SWITCH	1	2	3	4	
0	0	0	0	<b>TGC</b>	Delay on Make
0	0	0	1	<b>TGM</b>	Delay on Break
0	0	1	0	<b>TGP / TGL</b>	SS on Make/Interval On
0	0	1	1	<b>TGPS</b>	Single Shot on Break
0	1	0	0	<b>TGLR</b>	Retriggerable Interval
0	1	0	1	<b>TGMPL</b>	Retriggerable Single Shot
0	1	1	0	<b>TGC</b>	Delay on Make with Initiate
0	1	1	1	<b>TGKA</b>	Repeat Cycle On/Off Delay

Pot 1 selects 1-100, Pot 2 selects Seconds or Minutes

### Dual Time Settings

Dipswitch Settings				Timing Mode	1st Delay	2nd Delay
SWITCH	1	2	3	4	Reference	
1	0	0	0	<b>TGKAD</b>	1s to 100s	1s to 100s
1	0	0	1		1s to 100s	1m to 100m
1	0	1	0		1m to 100m	1s to 100s
1	0	1	1		1m to 100m	1m to 100m
1	1	0	0	<b>TGKD</b>	1s to 100s	1s to 100s
1	1	0	1		1s to 100s	1m to 100m
1	1	1	0		1m to 100m	1s to 100s
1	1	1	1		1m to 100m	1m to 100m

Pot 1 selects first delay, Pot 2 selects second delay



## SPECIFICATIONS

**Input Voltage:** 24, 120 or 230VAC, 50 / 60Hz, ±10%  
12 or 24VDC, ±10%

**Output current:** 10A resistive, max.

**Single-Setting Time delay:** *via pots*  
Adjustable from 1 second to 100 minutes

**Dual-Setting Time delays:** *via dipswitches and pots*  
Adjustable from 1 second to 100 minutes

**Timing function:** Multiple timing modes available

**Repeatability:** 0.1% or 20mS, whichever is greater

**Time delay accuracy:** 2.5% or 50mS, whichever is greater

**Recycle / Start-up time delay:** 250mS, typ.

**Temperature Ranges:** *Storage:* -40°C to +85°C  
*Operating:* -25°C to +60°C

**Mechanical:** 2.5" x 2.5" case, Surface mount with one #8 or #10 screw  
0.25" QC terminals for input and output

**Protection:** Encapsulated circuitry, MOV transient protection, passes EFT test at 2500V

## OPTIONS SELECTION

Mode of Operation	Series	Part Number	Input Voltage
Multi-function and Resettable	<b>MC360</b>	MC1003601H	120VAC
		MC2003601H	230VAC
		MC3003601H	24VAC
		MC7003601H	12VDC
		MC4003601H	24VDC

**EXAMPLE** MC 100 360 1H

MC360 multifunction timer with 10A output, 120VAC input, and single pole/double throw relay